

Aero Folded Wire Panel

Aero folded wire fence panels are a durable, versatile, and cost-effective option, making them well suited to long fencing runs where a strong but visually unobtrusive barrier is required.

They are commonly used along roadways or to secure areas around utilities and services.

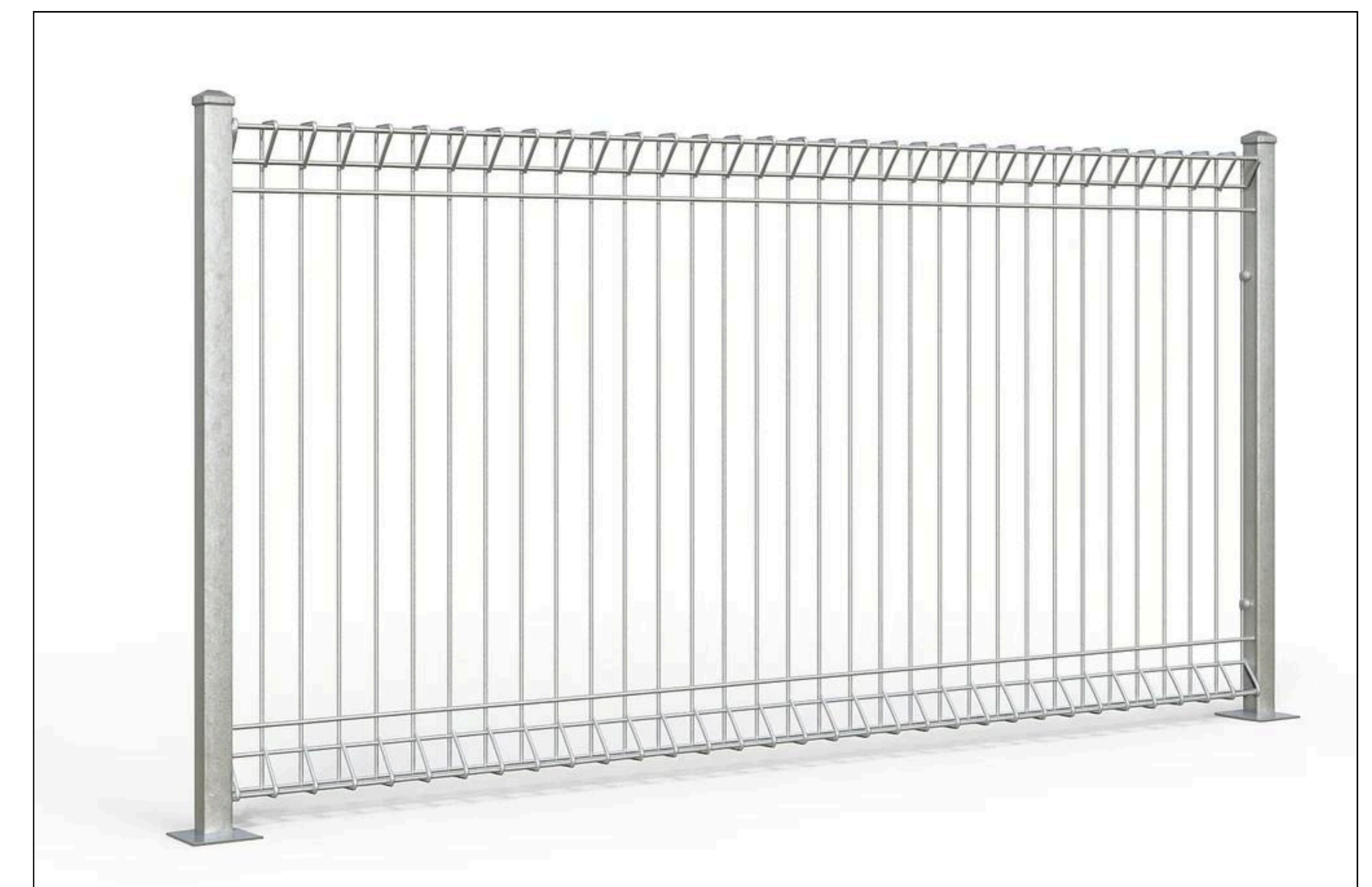
These panels are available ex-stock in either a hot dip galvanised finish (NZS 4680) or a powder-coated finish applied over a hot dipped panel for added protection and appearance.

Contact our team to discuss project specific requirements, pricing and lead times.

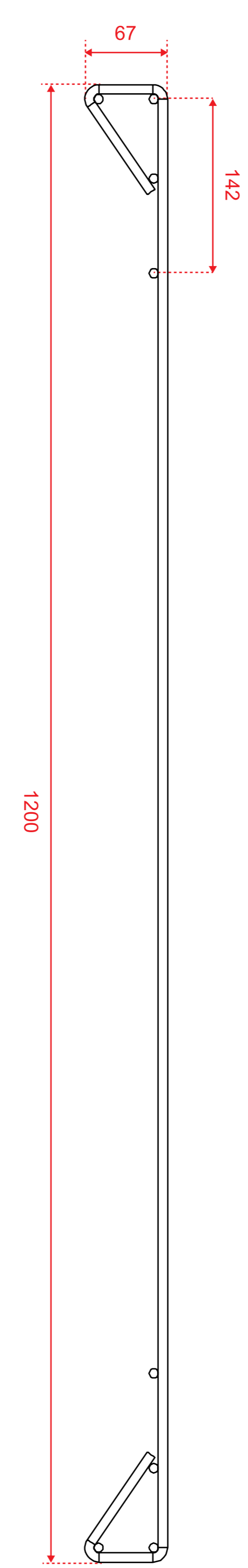
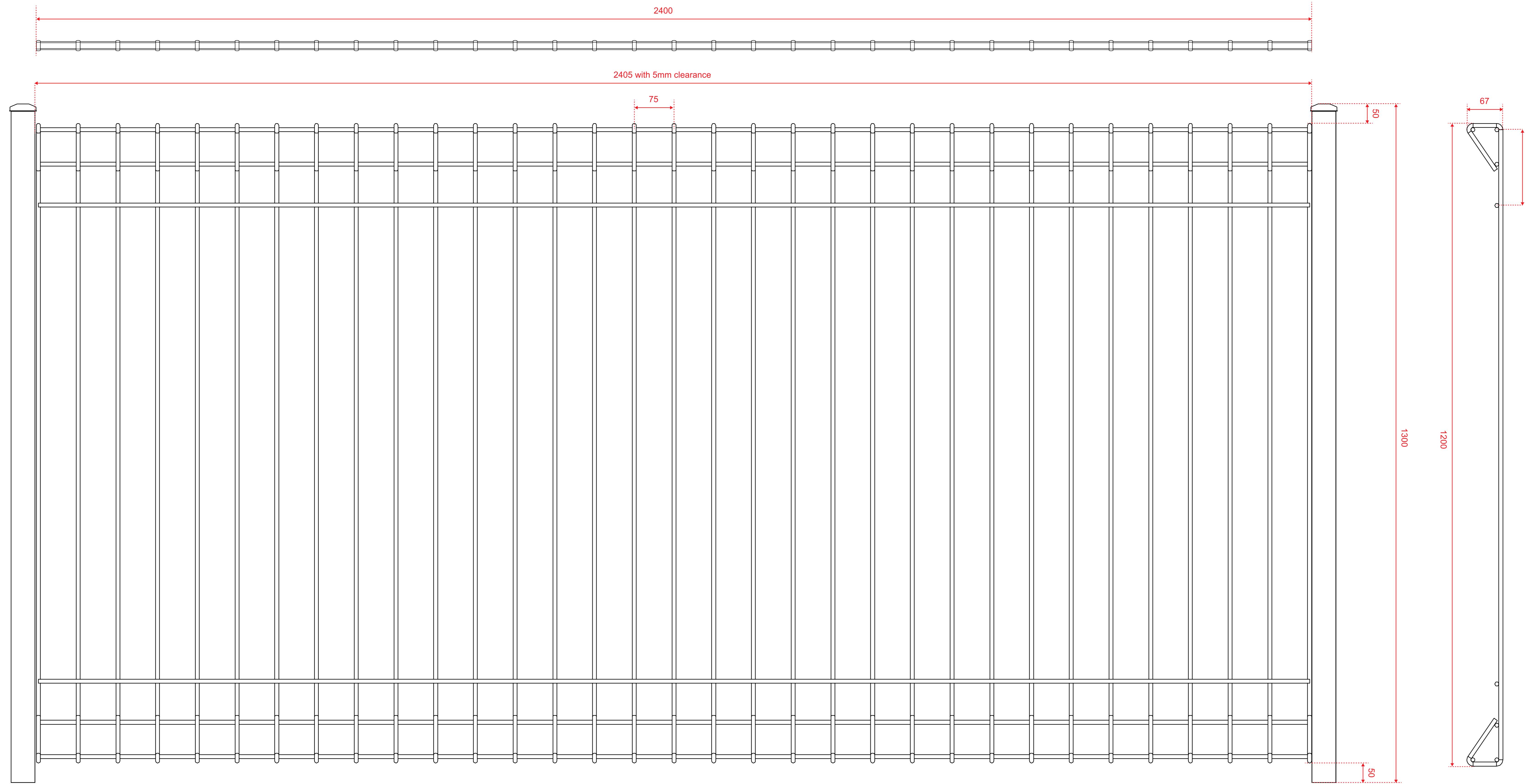


Dimensions

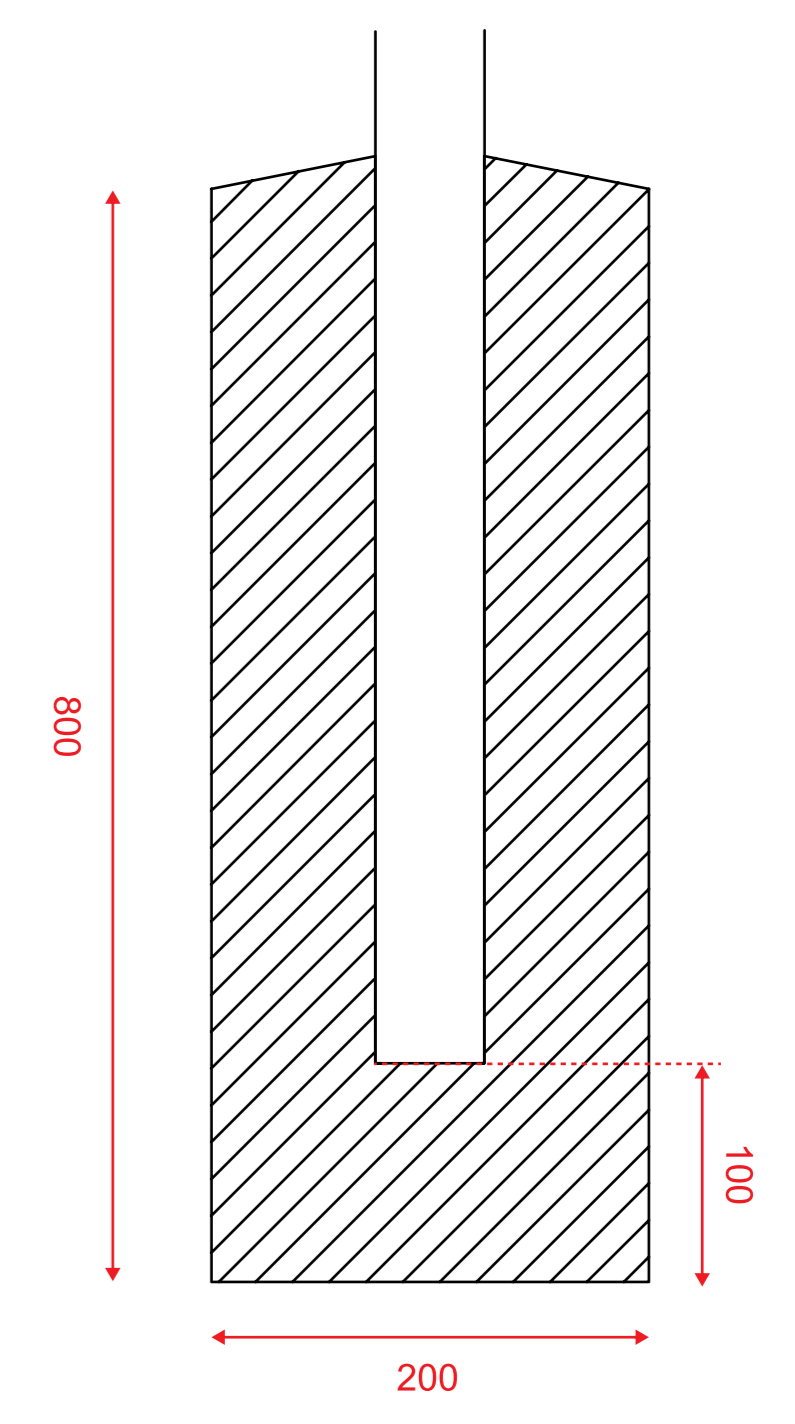
Height	Width	Wire	Centres	Finish	Post
1.200m	2.400m	6.5mm wire horizontal 7.5mm wire vertical	75mm vertical centres 88mm folds top and bottom	Hot dip galvanised to NZS 4680	Flanged Post 1.3m, 50 × 1.5mm In-ground Post 2.0m, 50 × 1.5mm
1.500m	2.400m	6.5mm wire horizontal 7.5mm wire vertical	75mm vertical centres 88mm folds top and bottom	Hot dip galvanised to NZS 4680	Flanged Post 1.6m, 50 × 1.5mm In-ground Post 2.2m, 50 × 1.5mm
1.800m	2.400m	6.5mm wire horizontal 7.5mm wire vertical	75mm vertical centres 88mm folds top and bottom	Hot dip galvanised to NZS 4680	Flanged Post 2.6m, 65 × 2.5mm In-ground Post 1.9m, 65 × 2.5mm



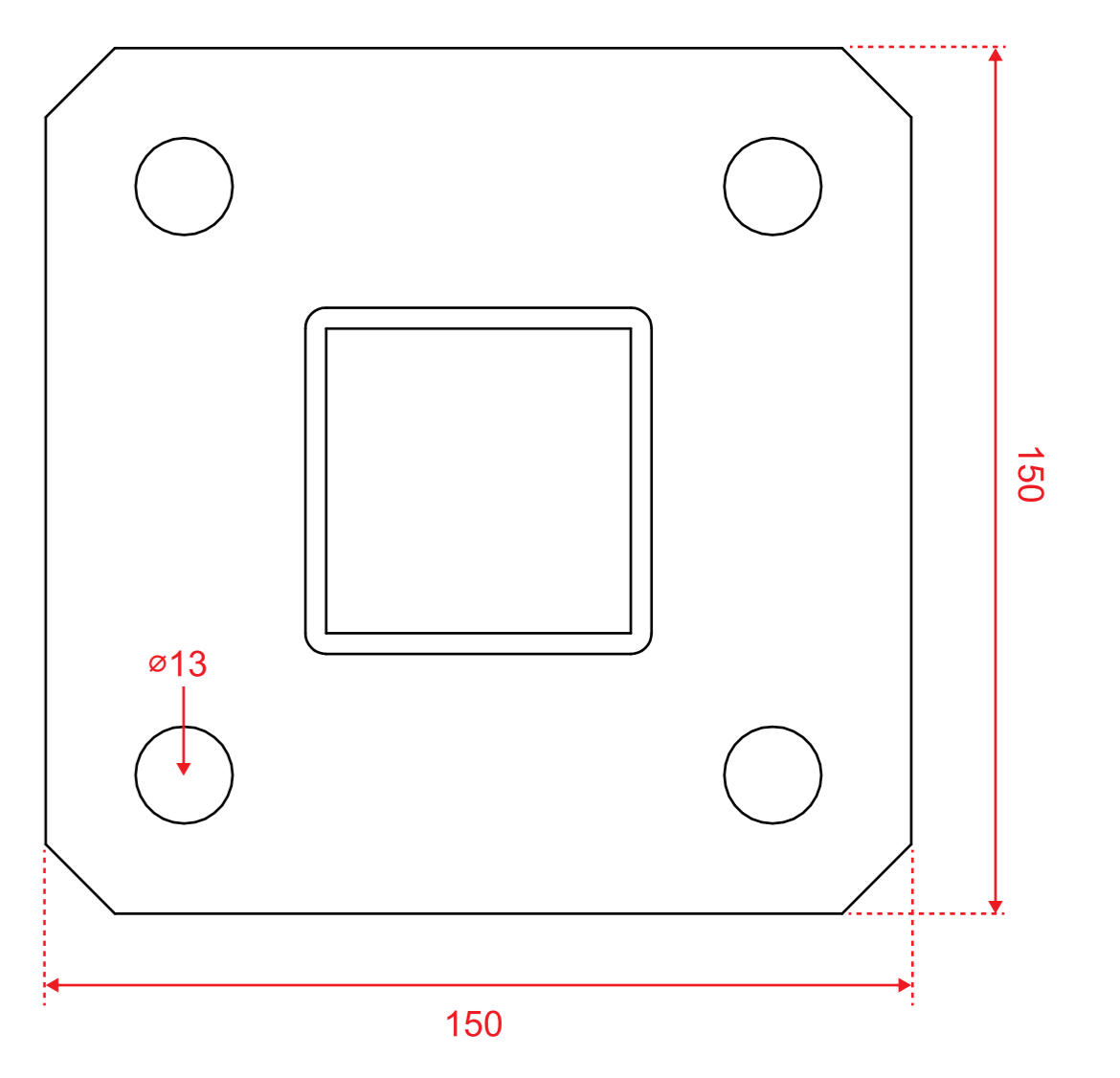
MODEL:
Aero Folded Wire Panel 2400 x 1200



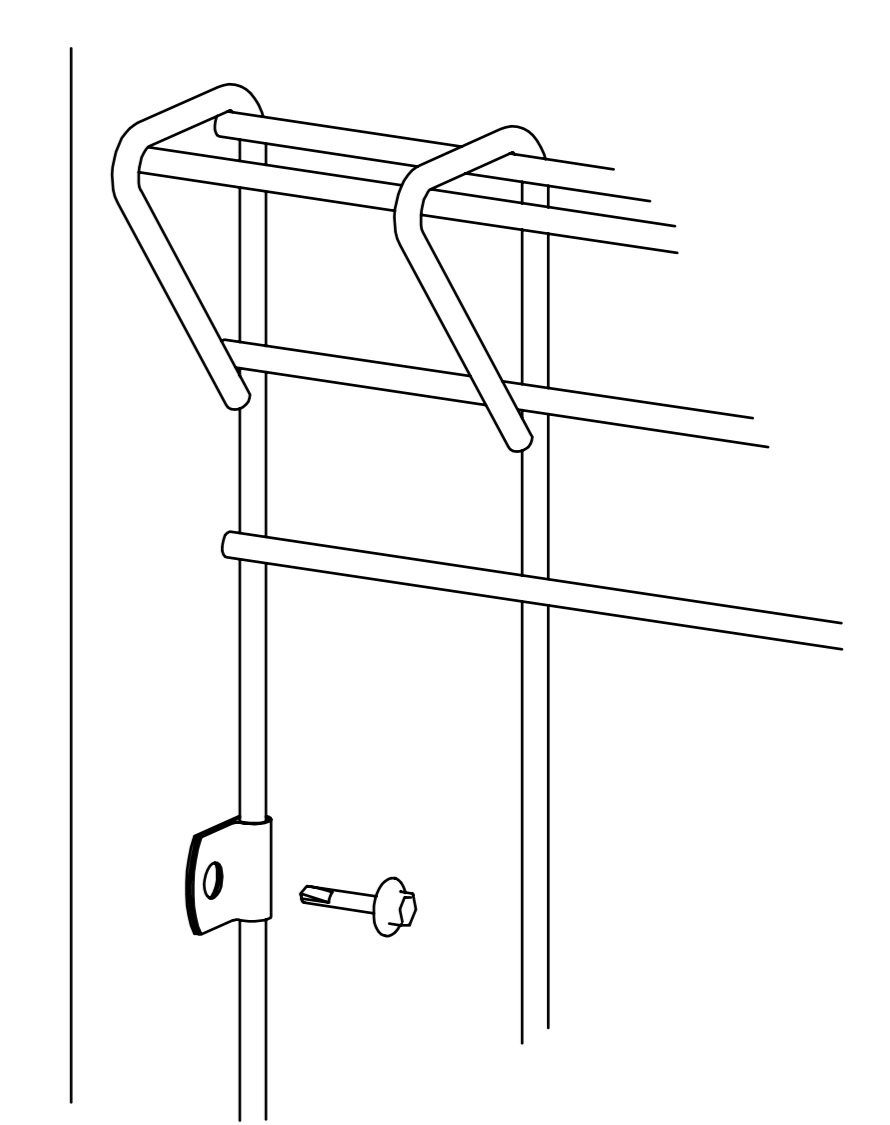
IN-GROUND POST MOUNTING



FLANGED POST MOUNTING



PANEL TO POST MOUNTING



32E Forge Road, Silverdale, Auckland 0932
AKL: +64 9 421 1533
sales@thegategroup.co.nz
<https://thegategroup.co.nz>

MODEL:
Aero Folded Wire Panel 2400 x 1200

ADDITIONAL INFORMATION & PRICING:
<https://thegategroup.co.nz/fence/aero>

DATE:
31 March 2024

REVISION:
V1.07

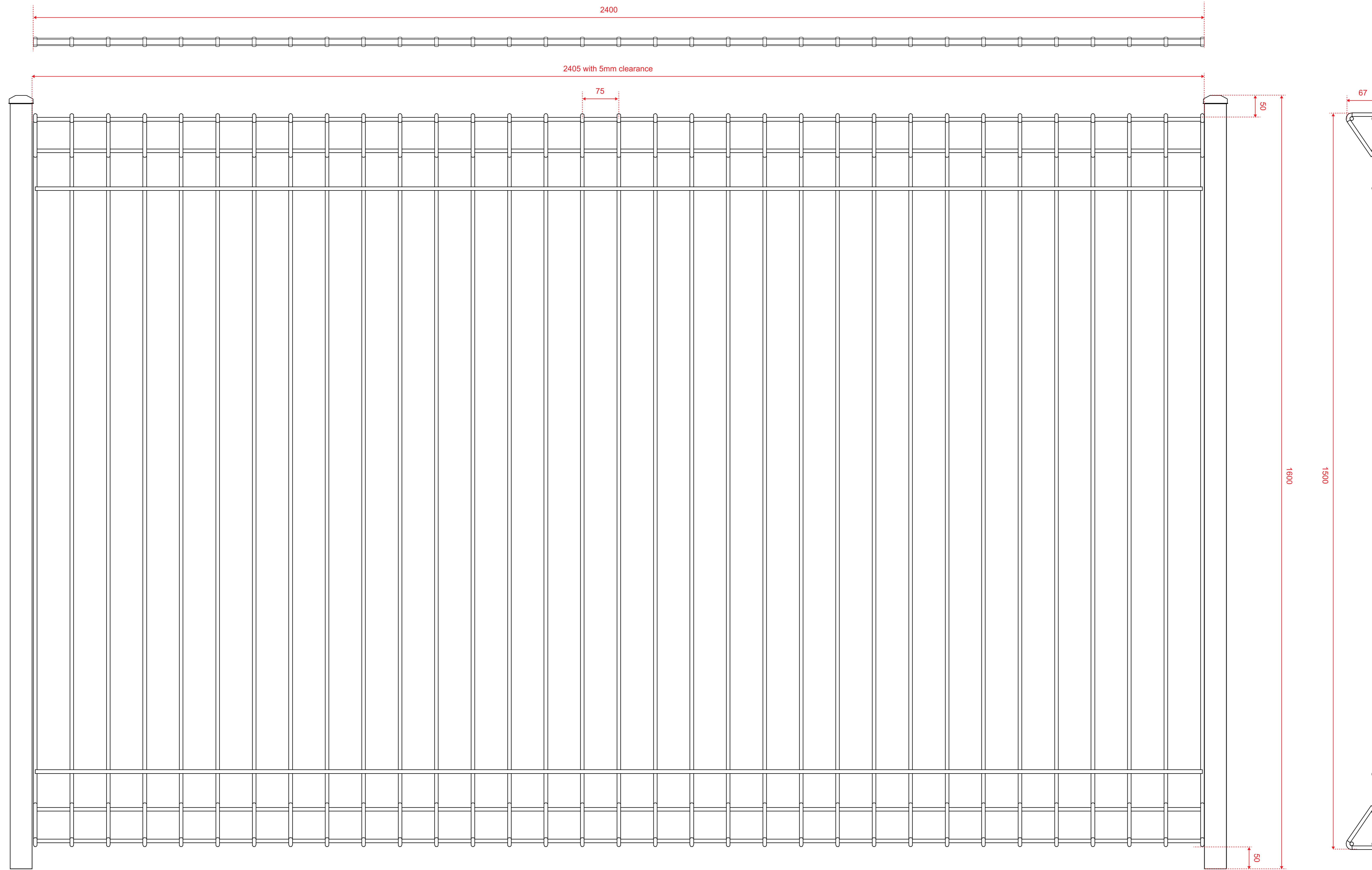
SIZE:
A4 DO NOT SCALE FROM DRAWING

DIMENSIONS:
Unless stated otherwise all dimensions are in mm

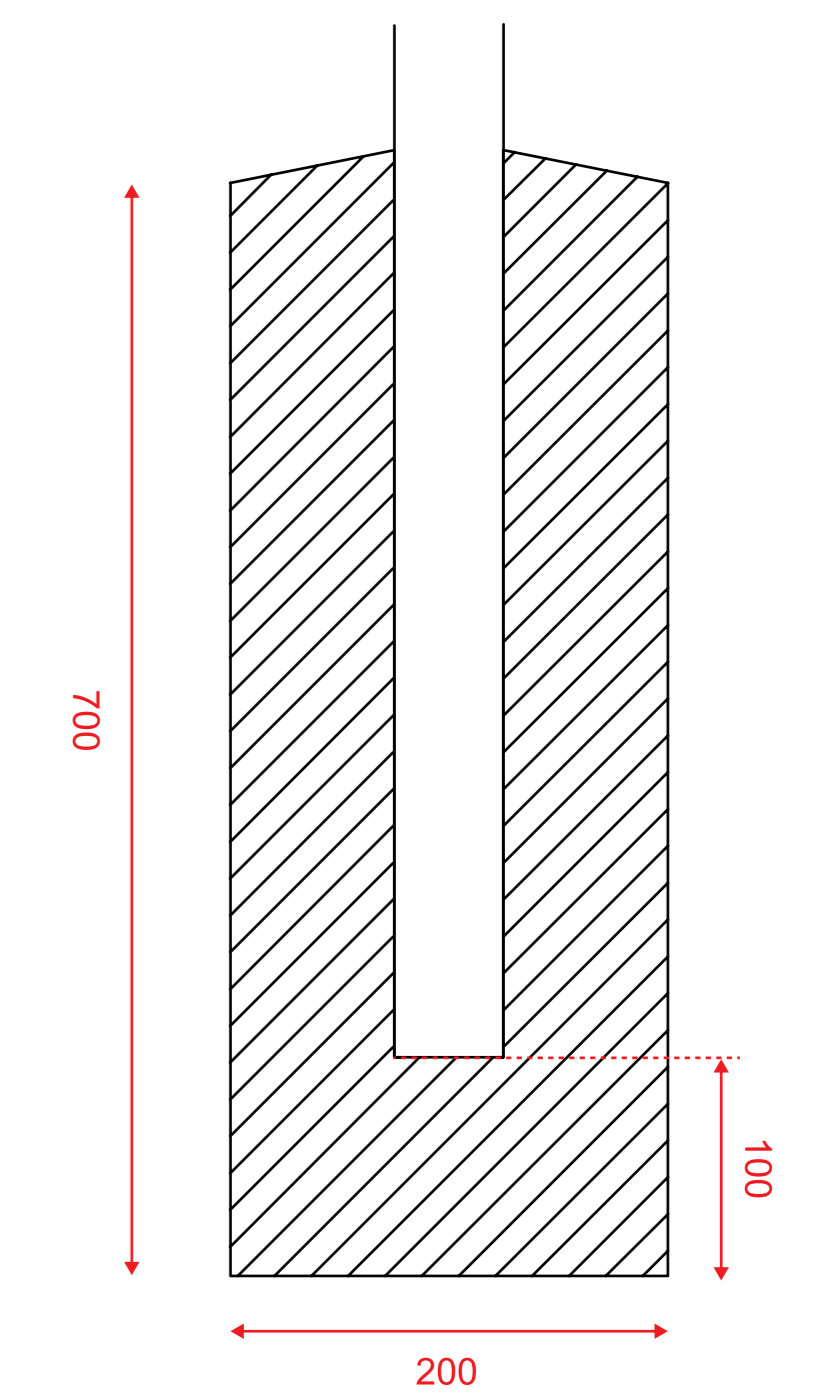
SPECIFICATION:

MATERIAL: 6.5mm wire horizontal, 7.5mm wire for vertical
FINISH: Hot dip galvanised. Optional powder-coat. Zinc content 300 grams/m2
WEIGHT: 22 kg
FIXINGS: 4 stainless steel mesh clips and 4 stainless steel tek screws (supplied)
POST: In-ground: 50 x 50 x 3 - 2m. Flanged: 50 x 50 x 3 - 1.3m

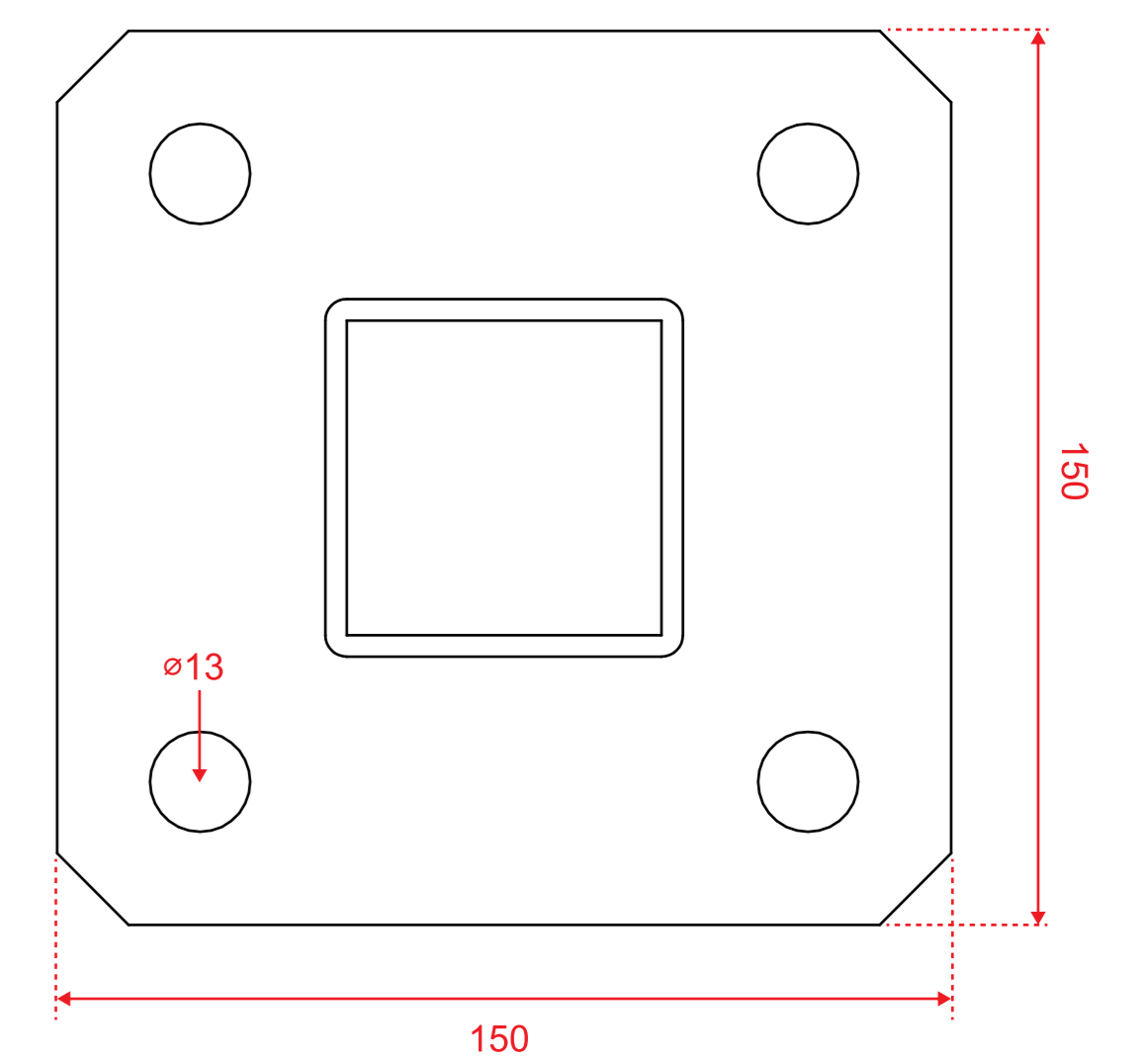
MODEL:
Aero Folded Wire Panel 2400 x 1500



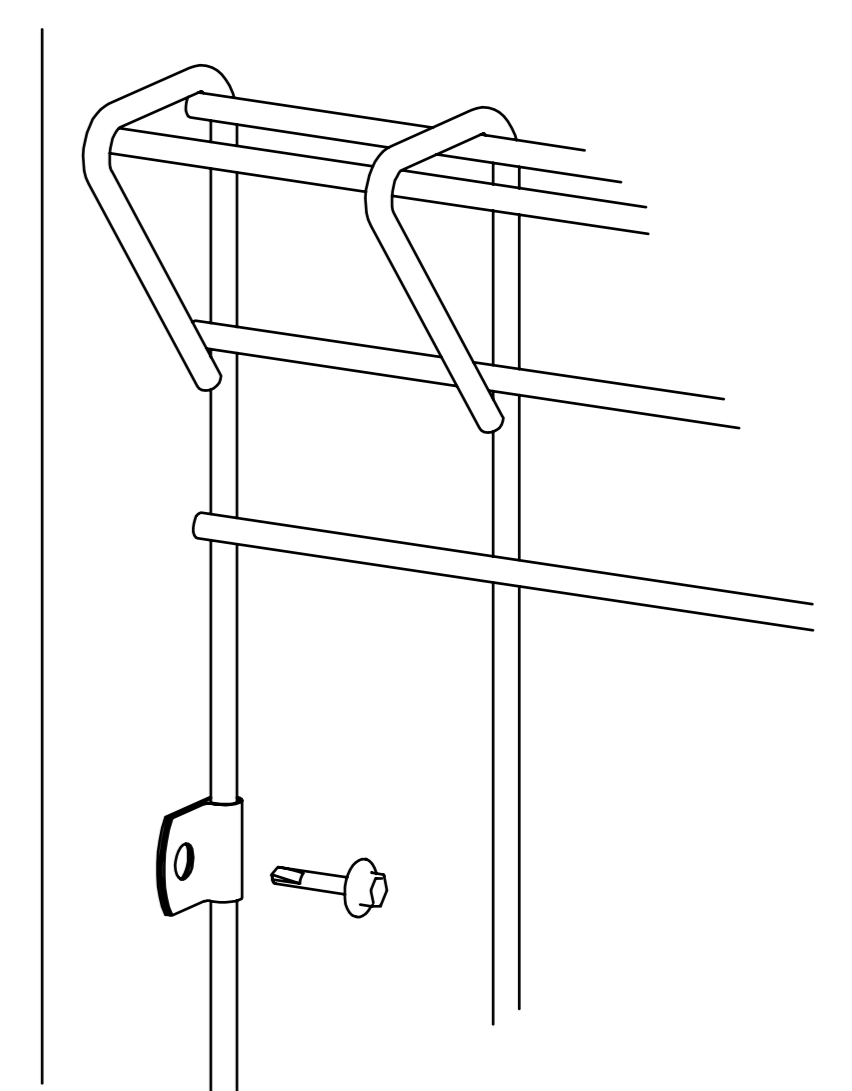
IN-GROUND POST MOUNTING



FLANGED POST MOUNTING



PANEL TO POST MOUNTING



32E Forge Road, Silverdale, Auckland 0932
AKL: +64 9 421 1533
sales@thegategroup.co.nz
<https://thegategroup.co.nz>

MODEL:
Aero Folded Wire Panel 2400 x 1500

ADDITIONAL INFORMATION & PRICING:
<https://thegategroup.co.nz/fence/aero>

DATE:
31 March 2024

REVISION:
V1.07

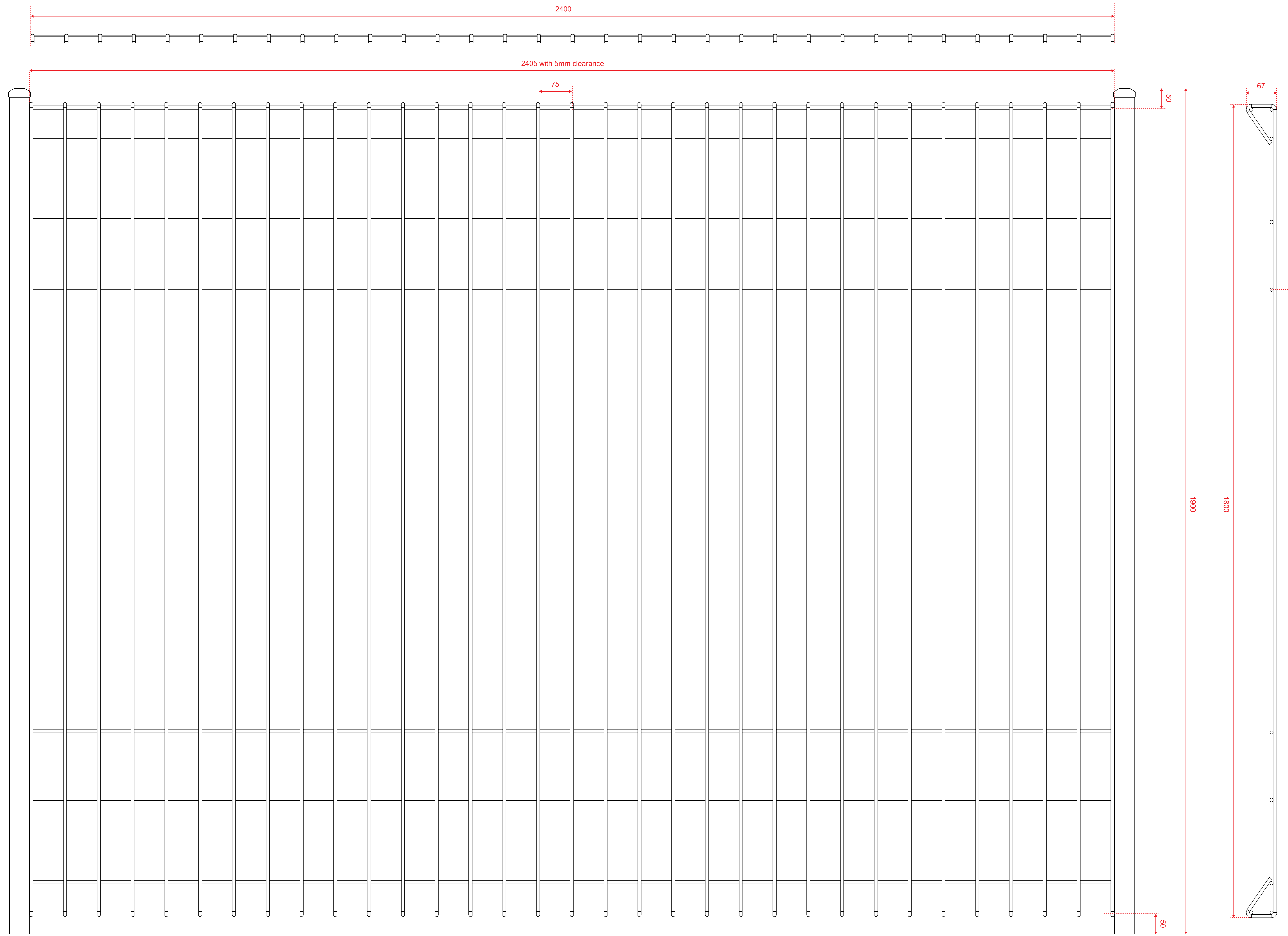
SIZE:
A4 DO NOT SCALE FROM DRAWING

DIMENSIONS:
Unless stated otherwise all dimensions are in mm

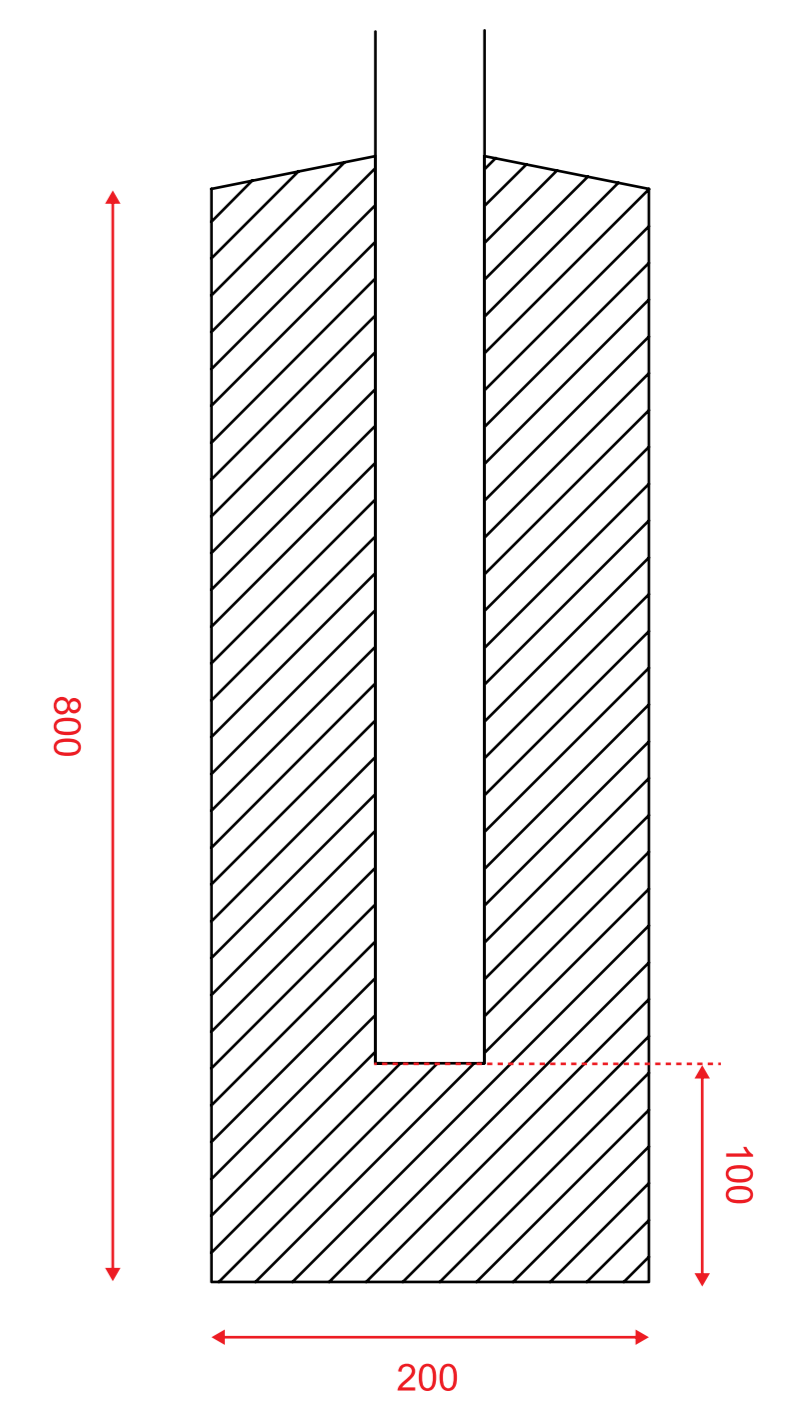
SPECIFICATION:

MATERIAL: 6.5mm wire horizontal, 7.5mm wire for vertical
FINISH: Hot dip galvanised. Optional powder-coat. Zinc content 300 grams/m2
WEIGHT: 27 kg
FIXINGS: 4 stainless steel mesh clips and 4 stainless steel tek screws (supplied)
POST: In-ground: 50 x 50 x 3 - 2.2m. Flanged: 50 x 50 x 3 - 1.6m

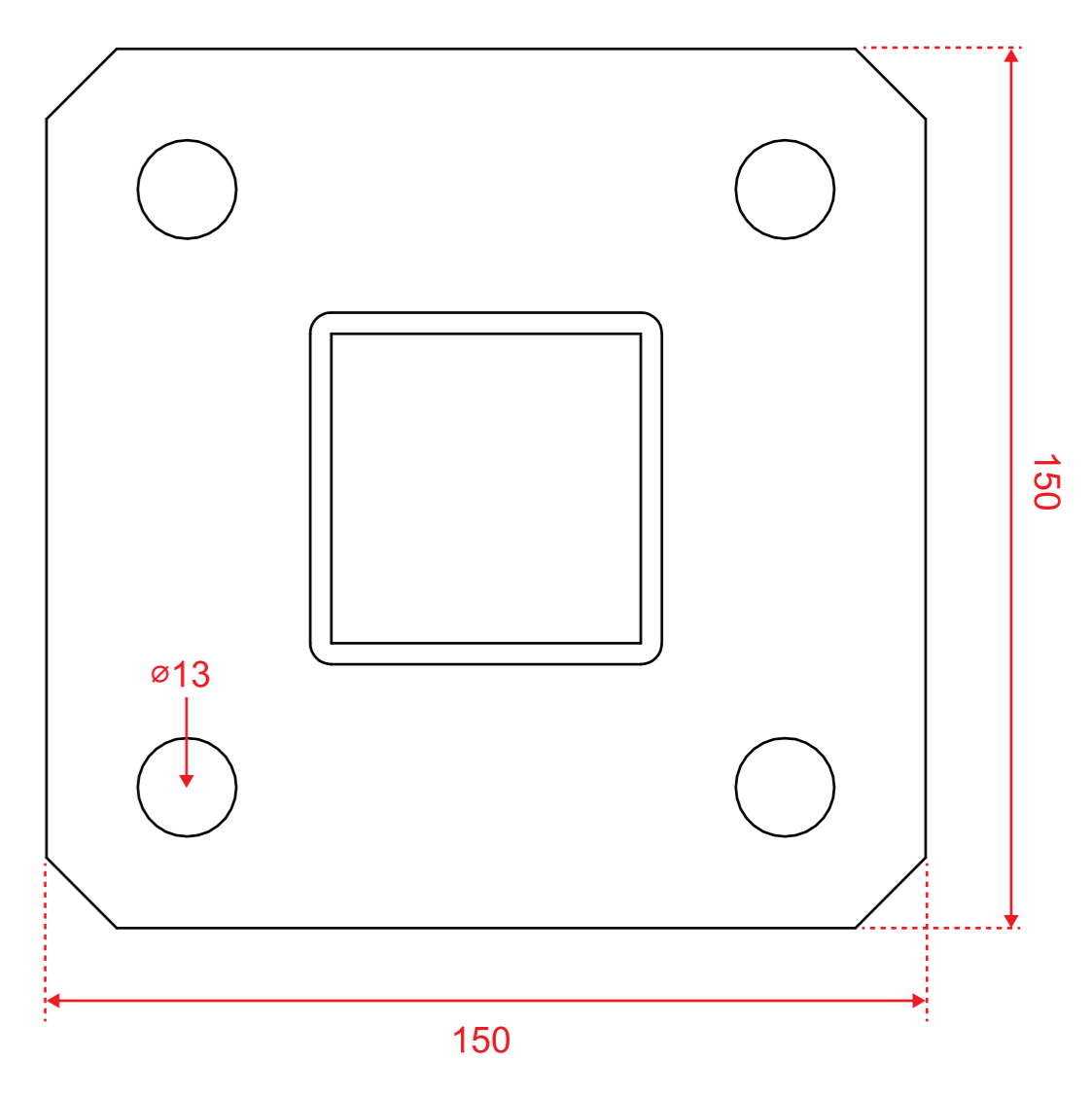
MODEL:
Aero Folded Wire Panel 2400 x 1800



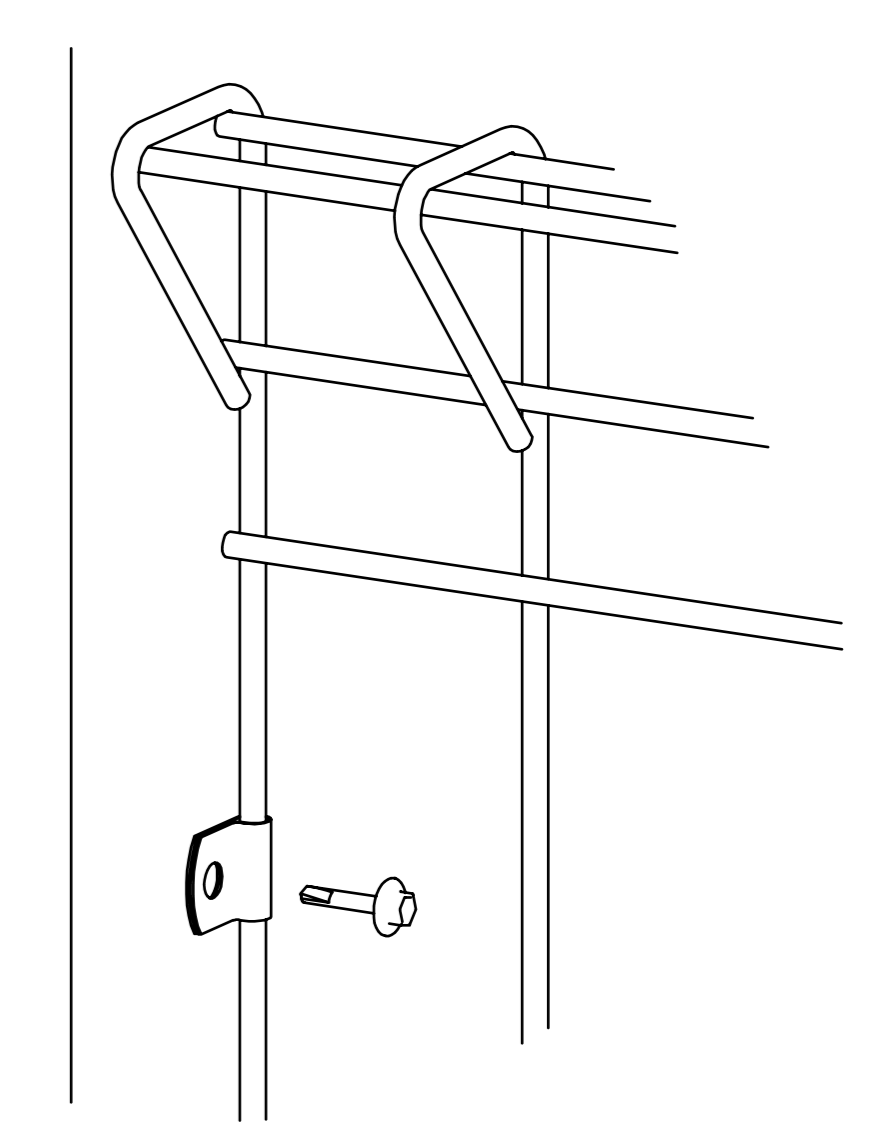
IN-GROUND POST MOUNTING



FLANGED POST MOUNTING



PANEL TO POST MOUNTING



32E Forge Road, Silverdale, Auckland 0932
AKL: +64 9 421 1533
sales@thegategroup.co.nz
<https://thegategroup.co.nz>

MODEL:
Aero Folded Wire Panel 2400 x 1800

ADDITIONAL INFORMATION & PRICING:
<https://thegategroup.co.nz/fence/aero>

DATE:
31 March 2024

REVISION:
V1.07

SIZE:
A4 DO NOT SCALE FROM DRAWING

DIMENSIONS:
Unless stated otherwise all dimensions are in mm

SPECIFICATION:
MATERIAL: 6.5mm wire horizontal, 7.5mm wire for vertical
FINISH: Hot dip galvanised. Optional powder-coat. Zinc content 300 grams/m2
WEIGHT: 32 kg
FIXINGS: 4 stainless steel mesh clips and 4 stainless steel tek screws (supplied)
POST: In-ground: 65 x 65 x 3 - 1.9m. Flanged: 65 x 65 x 3 - 2.6m